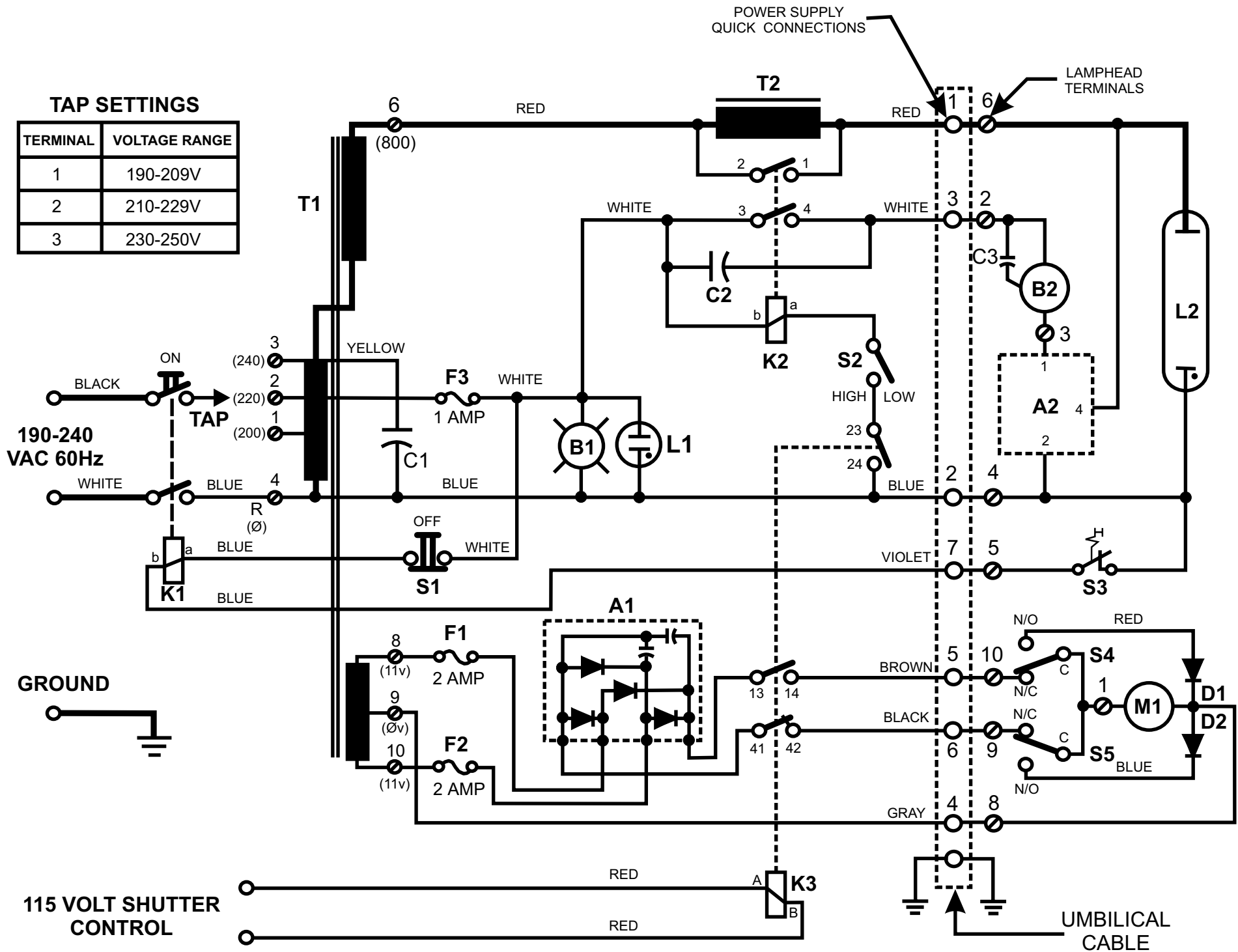


POWER SUPPLY

LAMP HOUSING

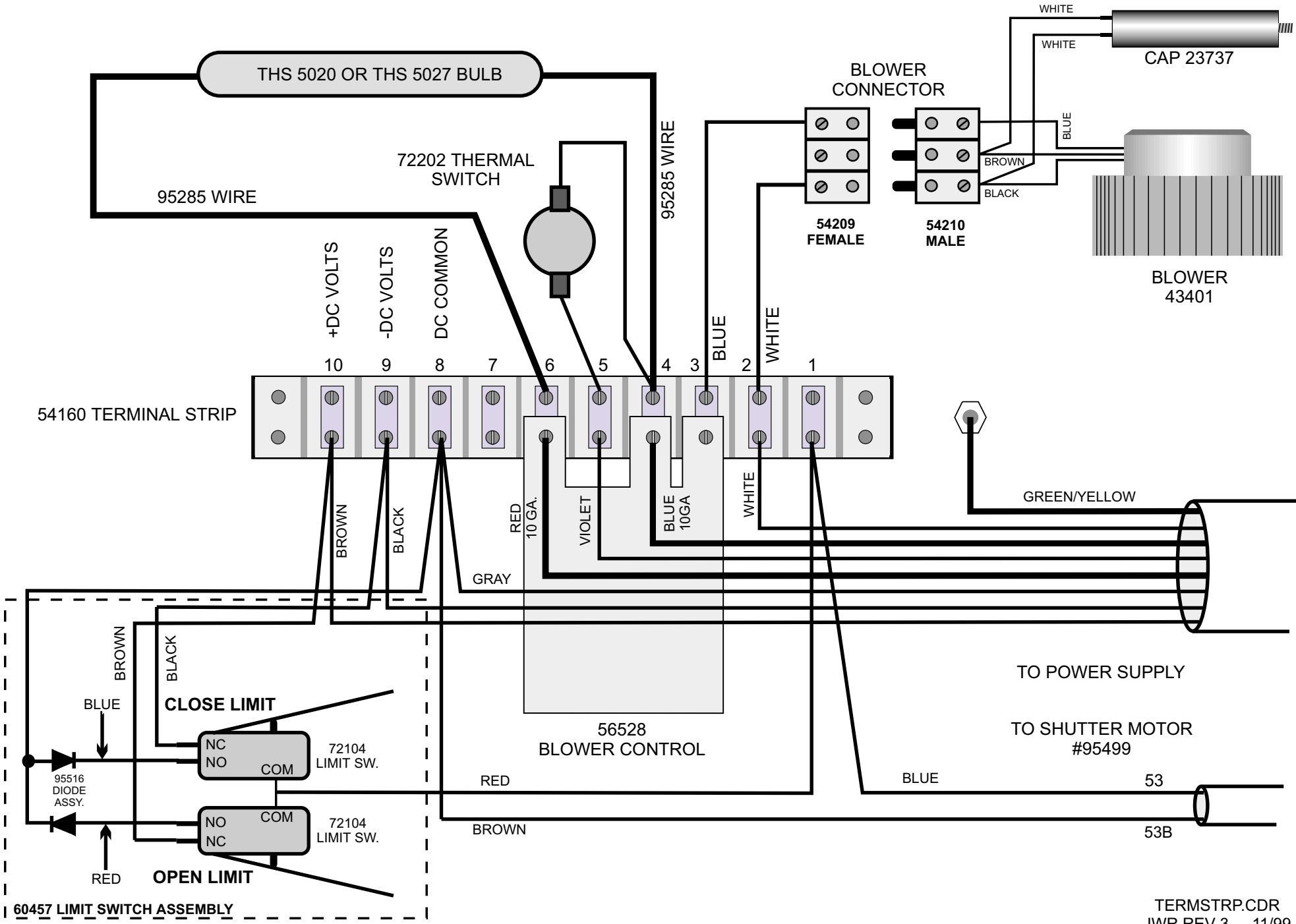
TAP SETTINGS

| TERMINAL | VOLTAGE RANGE |
|----------|---------------|
| 1 | 190-209V |
| 2 | 210-229V |
| 3 | 230-250V |



115 VOLT SHUTTER CONTROL

UMBILICAL CABLE



TERMSTRP.CDR
JWR REV 3 - 11/99

THEIMER VIOLUX 5002 LAMPHEAD WIRING (TYPICAL) - 3 WIRE BLOWERS (NOT COUNTING GROUND)

VIOLUX 5002s PARTS LIST

| SYMBOL | DESCRIPTION | PART NUMBER |
|--------|-------------------------------------|-------------|
| A2 | PC BOARD, RECTIFIER | 95108 |
| A3 | PC BOARD, FAN-AUTO | 56528 |
| B1 | FAN, COMPLETE WITH BRACKET | 95772 |
| B2 | FAN, R2E140-AC05-20 | 43401 |
| C1 | CAPACITOR, 30ufd (6 TOTAL REQ'D) | 23755 |
| C2 | CAPACITOR, 6ufd | 23739 |
| C3 | CAPACITOR, 4ufd | 23737 |
| V1,V2 | BRAKING DIODE ASS'Y | 95516 |
| F1,2 | FUSE, 4A (SHUTTER) | 63306 |
| F3 | FUSE, 1A (MAINS) | |
| F5 | SWITCH, THERMAL OVERLOAD | 72202 |
| I1 | LAMP, NEON INDICATOR, 220V | 70151 |
| | SOCKET, INDICATOR LAMP | 70906 |
| K1 | CONTACTOR, MAIN POWER | 63725 |
| K2 | CONTACTOR, HIGH POWER | 63725 |
| K3 | CONTACTOR, REMOTE CONTROL | 63717 |
| L1 | CHOKE (REPLACEMENT FOR 44524) | 44577 |
| M1 | SHUTTER MOTOR ASSEMBLY | 95499 |
| S1 | SWITCH, PUSH BUTTON (GREEN) | 70910 |
| S2 | SWITCH, TOGGLE SPST | 71301 |
| S4 | SWITCH, SHUTTER OPEN LIMIT | 72104 |
| S5 | SWITCH, SHUTTER CLOSE LIMIT | 72104 |
| T1 | TRANSFORMER, 220V / 60HZ | 43779 |
| | LAMP, EXPOSING, DIAZO | THS5020 |
| | LAMP, EXPOSING, MULTI SPECTRUM | THS5027 |
| | LIMIT SWITCH ASSY. WITH DIODES | 60457 |
| | FUSE HOLDER | 63352 |
| | TERMINAL STRIP, 10 POLE | 54160 |
| | BLOWER CONNECTOR (3 POLE) | 1108647 |
| | SHUTTER BLADE ASSY. (INTERNAL SW.) | 162247 |
| | SHUTTER BLADE ASSY. (EXT LIMIT SW.) | 161729 |
| | BULB MOUNTING ASSY. (ROUND) | 60565 |
| | BULB MOUNTING ASSY. (ANGLED CER.) | 101450 |
| | PUSH BUTTON, RED | 70911 |
| | CABLE, 9 CONDUCTOR (PER FOOT) | 80521 |
| | LAMP WIRE BEADED (12") | 95285 |
| | SPACER, SHUTTER PIVOT | 100503 |
| | GEAR FOR 43367 ROUND MOTOR | 160432 |
| | GEAR, FOR 60483 (OBS.) MOTOR | 68607 |
| | GEAR, SHUTTER BLADE | 68714 |