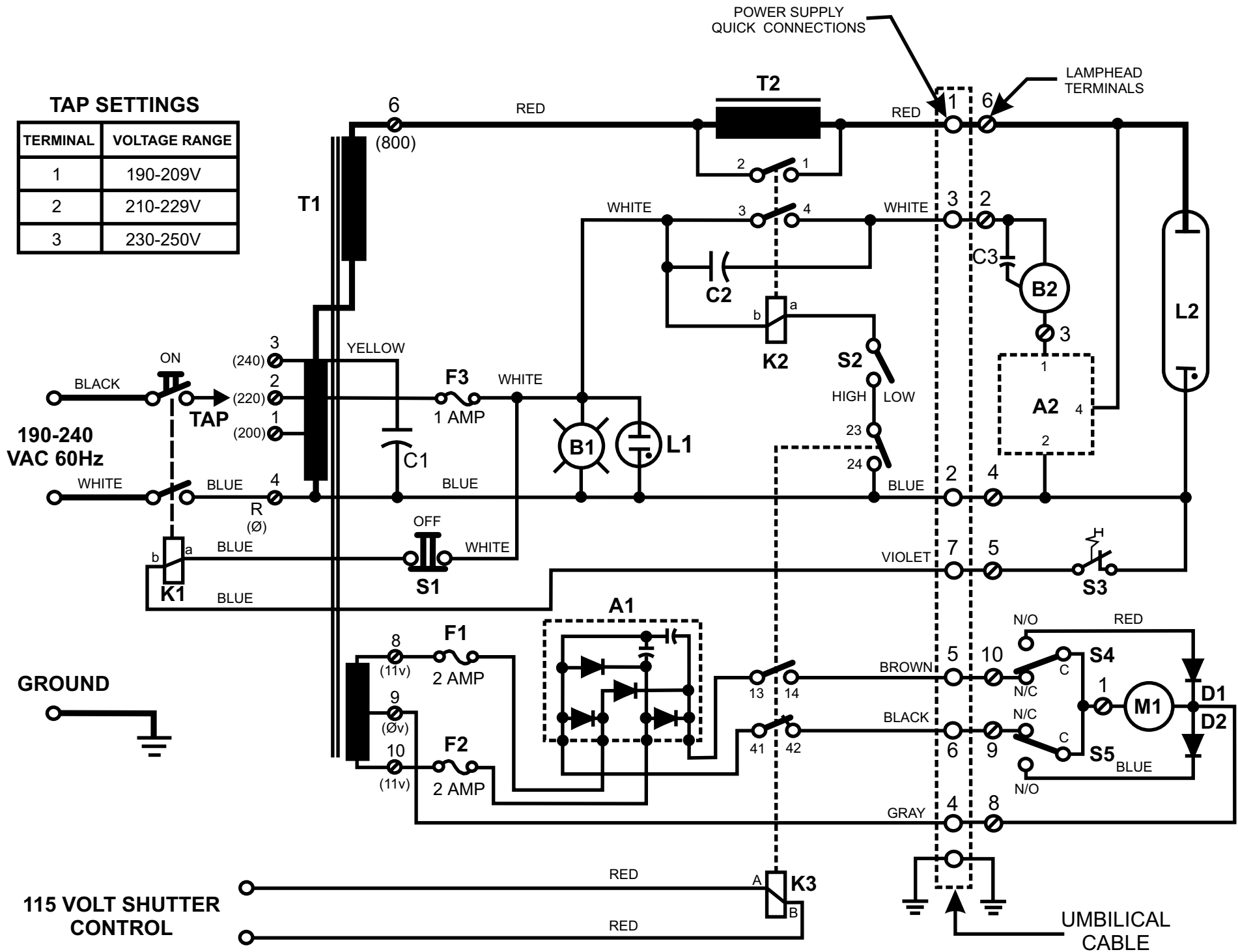


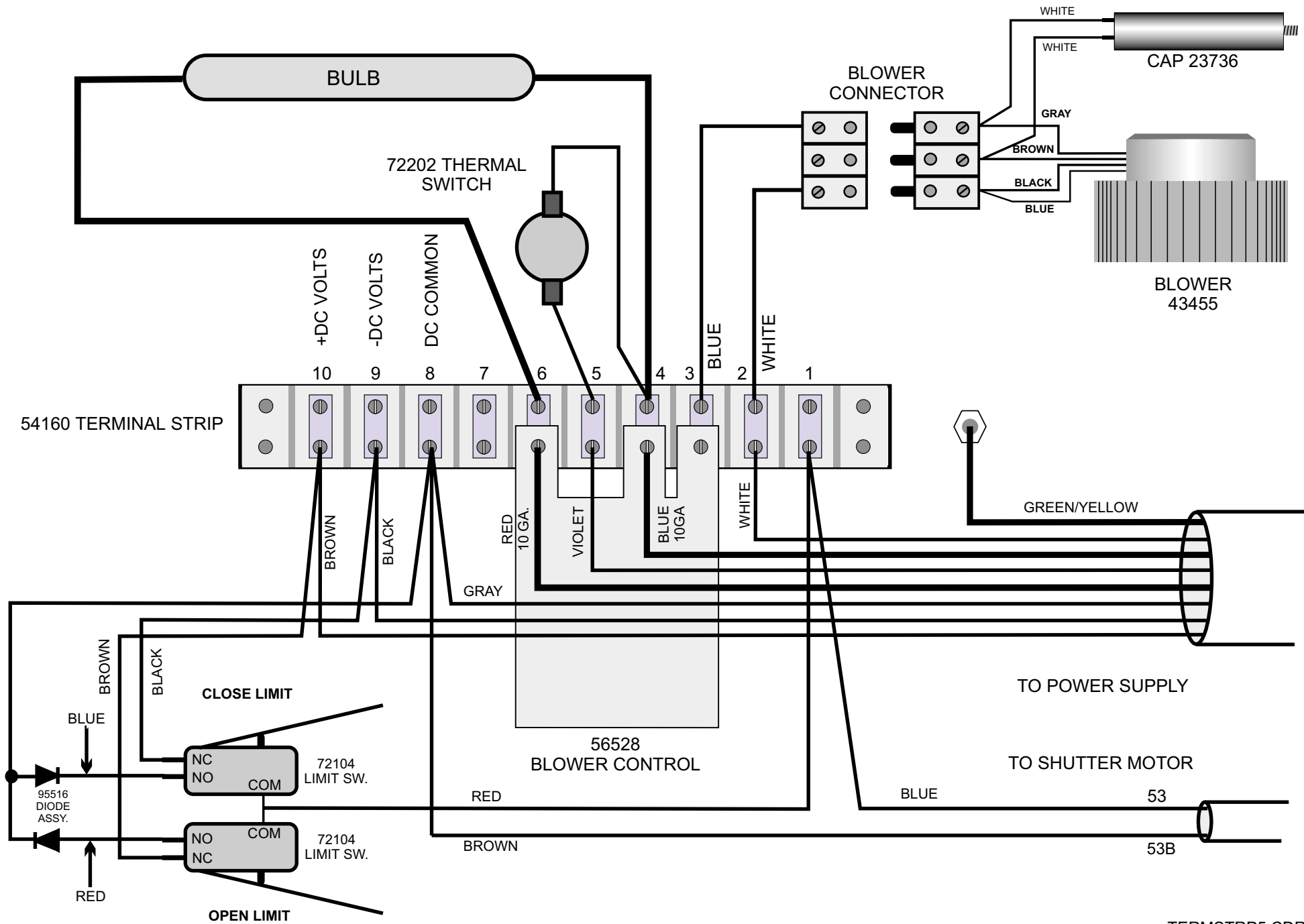
# POWER SUPPLY

# LAMP HOUSING

## TAP SETTINGS

TERMINAL	VOLTAGE RANGE
1	190-209V
2	210-229V
3	230-250V





THEIMER VIOLUX 3002 LAMPHEAD WIRING - 4 WIRE BLOWERS

## VIOLUX 3002s PARTS LIST

SYMBOL	DESCRIPTION	PART NUMBER
A2	PC BOARD, RECTIFIER	95108
A3	PC BOARD, FAN-AUTO	56528
B1	FAN, COMPLETE WITH BRACKET	95772
B2	FAN, R2E140-AA22-35	43455
C1	CAPACITOR, 30ufd (4 TOTAL REQ'D)	23755
C2	CAPACITOR, 4ufd	23737
C3	CAPACITOR, 2ufd	23736
V1,V2	BRAKING DIODE ASS'Y	95516
F1,F2	FUSE, 4A (SHUTTER)	63306
F3	FUSE, 1A (MAINS	
F5	SWITCH, THERMAL OVERLOAD	72202
I1	LAMP, NEON INDICATOR, 220V	70151
	SOCKET, INDICATOR LAMP	70906
K1	CONTACTOR, MAIN POWER	63725
K2	CONTACTOR, HIGH POWER	63725
K3	CONTACTOR, REMOTE CONTROL	63717
L1	CHOKE	44529
M1	SHUTTER MOTOR ASSEMBLY	95499
S1	SWITCH, PUSH BUTTON (GREEN)	70910
S2	SWITCH, TOGGLE SPST	71301
S4	SWITCH, SHUTTER OPEN LIMIT	72104
S5	SWITCH, SHUTTER CLOSE LIMIT	72104
T1	TRANSFORMER, 220V / 60HZ	43777
	LAMP, EXPOSING, DIAZO	THS5020
	LAMP, EXPOSING, MULTI SPECTRUM	THS5027
	LIMIT SWITCH ASSY. WITH DIODES	60457
	FUSE HOLDER	63352
	TERMINAL STRIP, 10 POLE	54160
	BLOWER CONNECTOR (3 POLE)	1108647
	SHUTTER BLADE ASSY. (INTERNAL SW.)	162247
	SHUTTER BLADE ASSY. (EXT LIMIT SW.)	161729
	BULB MOUNTING ASSY. (ROUND)	60565
	BULB MOUNTING ASSY. (ANGLED CER.)	101450
	PUSH BUTTON, RED	70911
	CABLE, 9 CONDUCTOR (PER FOOT)	80521
	LAMP WIRE BEADED (12")	95285
	SPACER, SHUTTER PIVOT	100503
	GEAR FOR 43367 ROUND MOTOR	160432
	GEAR, FOR 60483 (OBS.) MOTOR	68607
	GEAR, SHUTTER BLADE	68714